

144,181

PATENT



SPECIFICATION

Application Date, Oct. 29, 1919. No. 26,483/19.

Complete Left, Jan. 8, 1920.

Complete Accepted, June 10, 1920.

PROVISIONAL SPECIFICATION.

Improvements in and connected with Flash Light Apparatus.

We, the SHOOT-A-LITE SYNDICATE LIMITED, Manufacturers, and GEORGE ARCHIBALD LUNDIE, Manager, both of 22, Ely Place, London, E.C. 1, do hereby declare the nature of this invention to be as follows:—

This invention relates to improvements in and connected with flash light apparatus for use in connection with flash light photography.

In accordance with the invention the flash light apparatus includes a lighter, for instance of the kind described in Patent No. 116,501. In front of the striker of the lighter is adapted to be positioned a container for flash light powder the container being formed with an opening opposite the striker in order that on the trigger of the lighter being pulled the flash light powder will be ignited by

ERRATUM.

SPECIFICATION No. 144,181.

Page 1 (Heading), for Application Date Oct. 29th,

read Application Date Oct. 28th.

PATENT OFFICE,

September 9th, 1920.

(54,474), G2237. 125. 9/20. Gp.164. A.&E.W.

statement:—

This invention relates to improvements in and connected with flash light apparatus for use in connection with flash light photography.

[Price 1/-]

144,181

PATENT



SPECIFICATION

Application Date, Oct. 29, 1919. No. 26,483/19.

Complete Left, Jan. 8, 1920.

Complete Accepted, June 10, 1920.

PROVISIONAL SPECIFICATION.

Improvements in and connected with Flash Light Apparatus.

We, the SHOOT-A-LITE SYNDICATE LIMITED, Manufacturers, and GEORGE ARCHIBALD LUNDIE, Manager, both of 22, Ely Place, London, E.C. 1, do hereby declare the nature of this invention to be as follows:—

This invention relates to improvements in and connected with flash light apparatus for use in connection with flash light photography.

In accordance with the invention the flash light apparatus includes a lighter, for instance of the kind described in Patent No. 116,501. In front of the striker of the lighter is adapted to be positioned a container for flash light powder the container being formed with an opening opposite the striker in order that on the trigger of the lighter being pulled the flash light powder will be ignited by sparks from the striker passing through this opening.

The container may be secured to an arm pivoted to the side members of the lighter, the arm being of such length as to allow the container to be swung in front of the striker. By swinging the pivoted container out of the way the lighter may be used as a gas lighter.

Dated this 28th day of October, 1919.

CRUIKSHANK & FAIRWEATHER,
65—66, Chancery Lane, London, W.C. 2, and
62, Saint Vincent Street, Glasgow,
Agents for the Applicants.

20

COMPLETE SPECIFICATION.

Improvements in and connected with Flash Light Apparatus.

We, the SHOOT-A-LITE SYNDICATE LIMITED, Manufacturers, and GEORGE ARCHIBALD LUNDIE, Manager, both of 22, Ely Place, London, E.C. 1, do hereby declare the nature of this invention and in what manner the same is to be performed, to be particularly described and ascertained in and by the following statement:—

This invention relates to improvements in and connected with flash light apparatus for use in connection with flash light photography.

[Price 1/-]

In accordance with the invention the flash light apparatus includes a lighter of the kind described in Patent Specification No. 116,501. In front of the striker of the lighter is adapted to be positioned a container for flash light powder, the container being formed with an opening opposite the striker in order that on the trigger of the lighter being pulled the flash powder will be ignited by sparks from the striker passing through this opening. 5

The invention is illustrated in the accompanying drawings in which Figs. 1 and 2 are elevation and plan respectively of one embodiment only the forward end of the lighter being shown. Fig. 3 is a front view showing the flash powder container. 10

As shown the improved flash light apparatus includes a lighter A, the front portion only of which is shown, and a container B for the flash light powder such container being in the form of a box having a hinged front side B¹ forming a pan for the flash light powder. The container B is attached to the lighter A by arms C riveted to the container and fitting in brackets D on each side cheek E of the lighter. The arms C are held rigid by means of brackets D¹ engaging the ends of arms C. 15

On the container opposite the striker of the lighter is provided an opening G in order that on the trigger of the lighter being pulled the flash powder will be ignited by sparks from the striker passing through the opening. 20

We are aware that it is not new to provide a flash light apparatus including a lighter having a striker and a flash light powder container attached to said lighter the container being formed with an opening opposite the striker.

Having now particularly described and ascertained the nature of our said invention and in what manner the same is to be performed, we declare that what we claim is:— 25

1. A flash light apparatus including a lighter having a striker of the type described in Specification No. 116,501, a flash light container, arms projecting from said container and brackets on the lighter for engagement by said arms said container being formed with an opening opposite said striker. 30

2. A flash light apparatus constructed and arranged substantially as described with reference to the annexed drawings.

Dated this 8th day of January, 1920.

CRUIKSHANK & FAIRWEATHER,
65—66, Chancery Lane, London, W.C. 2, and 35
62, Saint Vincent Street, Glasgow,
Agents for the Applicants.

FIG. 1.

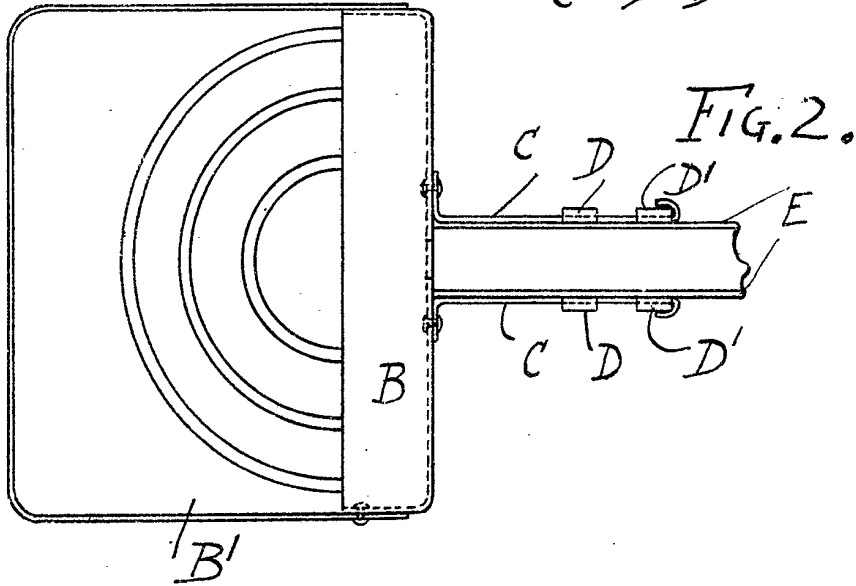
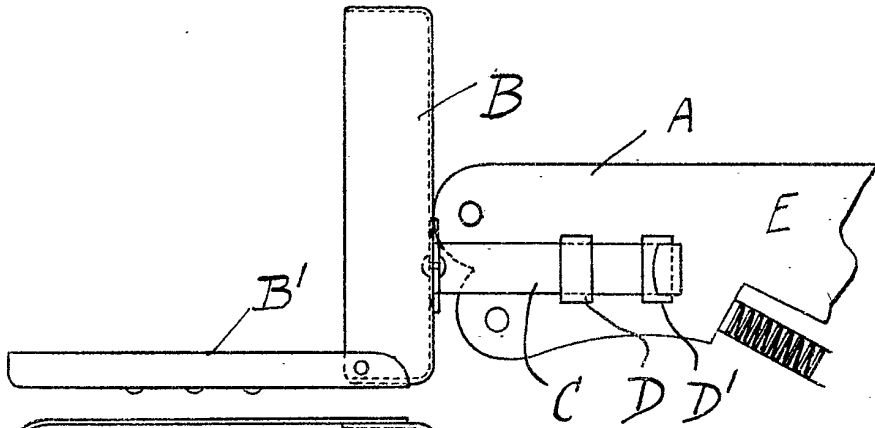


FIG. 3.

