

N^o 13,524



A. D. 1899

Date of Application, 29th June, 1899

Complete Specification Left, 21st Mar., 1900.—Accepted, 28th Apr., 1900

PROVISIONAL SPECIFICATION.

Improvements in Photographic Cameras.

I, ALEXANDER HEINRICH RIETZSCHEL, of Gabelsbergerstrasse, 36 and 37, Munich, in the Empire of Germany, Optician, do hereby declare the nature of this invention to be as follows:—

5 The present invention relates to improvements in hand photographic cameras which may be employed for photographing with films or with plates as desired without however materially increasing the size and portability of the apparatus

10 Two end or side chambers contain the rolls for the film and between the two a box is arranged to receive the expansible chamber or camera. A second box or casing connects the two roll chambers and the film passes through this chamber, which is provided with a dark slide. The camera is provided with the ordinary expansible part and the cover is adapted to fold down in the ordinary manner and be retained in position by means of a self adjusting stay bar. A snap spring may be employed to retain the roll and film box in position when photographing with films.

15 In photographing with films the camera is arranged as follows: The lid being folded down and the camera drawn out, the film box is adjusted in proper position on the box. If it is desired to photograph with plates the apparatus may be placed on a tripod to which end a housing is provided with screw holes, or the same may be used by hand in the ordinary manner without the tripod.
20 The roll box is slid off the camera box or casing and in order to preserve the proper distance of the lens from the plate a frame may be fitted on to the end of the housing into which either a dull glass plate frame or a double plate frame may be slid in the known manner.

25 When the operation has been completed the camera is folded back into a part of the housing and the lid turned up and fastened by any suitable hook device.

Dated this 29th day of June 1899.

HERBERT HADDAN & Co.,
Agents to Applicant,

30

COMPLETE SPECIFICATION.

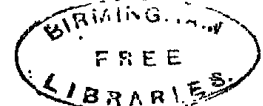
Improvements in Photographic Cameras.

I, ALEXANDER HEINRICH RIETZSCHEL, of Gabelsbergerstrasse, 36 and 37, Munich, in the Empire of Germany, Optician, do hereby declare the nature of this invention and in what manner the same is to be performed to be particularly
35 described and ascertained in and by the following statement:—

The present invention relates to improvements in photographic cameras which may be employed for photographing with films or with plates as desired without however materially increasing the size and portability of the apparatus.

In order to render the specification more easily intelligible reference is had

[Price 8d.]



Reitzschel's Improvements in Photographic Cameras.

to the accompanying drawing in which similar letters of reference denote similar parts throughout the several views.

Fig. 1 is a plan of the apparatus folded together.

Fig. 2 a front elevation of the apparatus showing the film containing portion partly drawn out for removal. 5

Fig. 3 a cross section through Fig. 2.

Fig. 4 a plan of the apparatus with the camera drawn out.

Fig. 5 a side elevation of the apparatus with the film box removed.

Fig. 6 a plan of a frame to be attached to the apparatus when the film box is removed and 10

Figs. 7 and 8 end views of frames to be inserted as hereinafter set forth.

Two end or side chambers *a a* contain the rolls for the film and between the two a box *b* is arranged to receive the expansible chamber or camera *c*. A second box or casing *d* connects the two roll chambers and the film passes through this chamber, which is provided with a dark slide *i* (Fig. 3). The camera *c* is 15 provided with the ordinary expansible part *h* and the cover *f* is adapted to fold down in the ordinary manner and be retained in position by means of a self adjusting stay bar *g*. A snap spring *e* may be employed to retain the roll and film box in position when photographing with films.

In photographing with films the camera is arranged as shown in Fig. 4. The 20 lid being folded down and the camera *c* drawn out, the film box is adjusted in proper position on the box *b*. If it is desired to photograph with plates the apparatus may be placed on a tripod, to which end the housing *j* is provided with screw holes *l l* or the same may be used by hand in the ordinary manner without the tripod. The roll box *a a d* is slid off the camera box or casing *b*, 25 and, in order to preserve the proper distance of the lens from the plate, the frame *m* (Fig. 6) may be fitted on to the end of the housing *j* into which either a dull glass plate frame *n* or a double plate frame *o* (Fig. 7) may be slid in the known manner.

When the operation has been completed the camera is folded back into the 30 part *b* of the housing *j* and the lid turned up and fastened by any suitable hook device (Fig. 3).

Having now particularly described and ascertained the nature of the said invention and in what manner the same is to be performed I declare that what I claim is:— 35

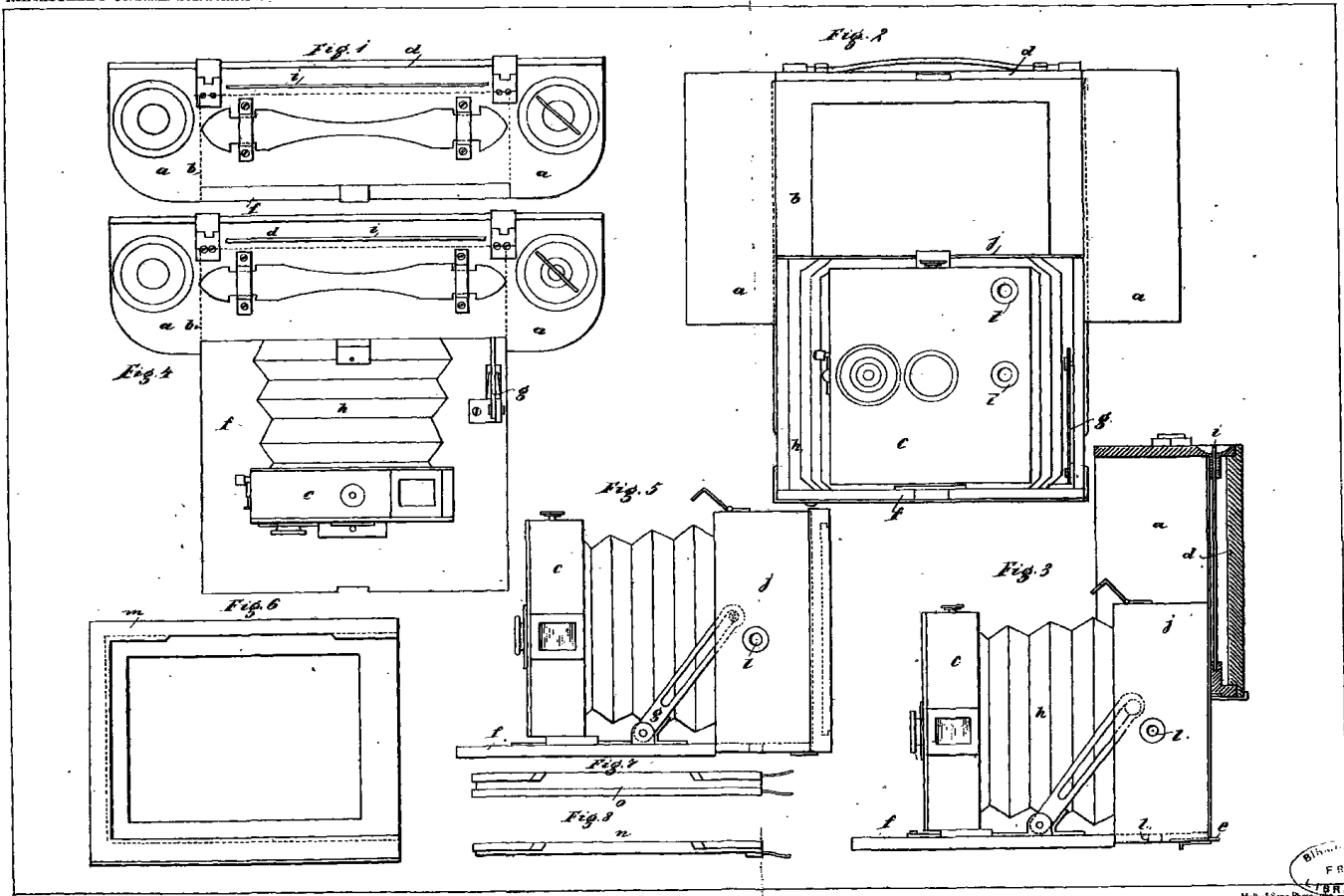
1. In a photographing apparatus, having an expansible camera and box *b*, the combination of a roll box *a a* having casing *d* with dark slide *i*, said box being adapted to fit on to and round the box or housing *j* by being slid over the same in the manner and for the purpose substantially as described.

2. In a photographing apparatus, the combination of a camera box *b* having 40 cover or lid *f* and camera *c* and a roll box having roll chambers *a a* at either side of the camera box and a film casing with dark slide *i* to connect said roll cases and lie along the back of the camera box, said whole roll box being adapted to slide vertically on the camera box substantially as described.

3. In a camera having expansible camera *c* and box *b* the combination of the 45 roll box to slide on said camera box having film roll chambers located as specified and a frame *m* to fit the end of the box *b* when the film box is removed in the manner and for the purpose substantially as described.

Dated this 21st day of March 1900.

HERBERT HADDAN & Co., 50
Agents to Applicant,
18, Buckingham Street, Strand, W.C., London.



[This Drawing is a reproduction of the Original on a reduced scale.]

British Library
FREE
LIBRARIES

Mulby & Sons Photo

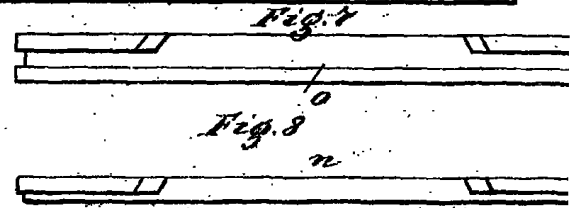
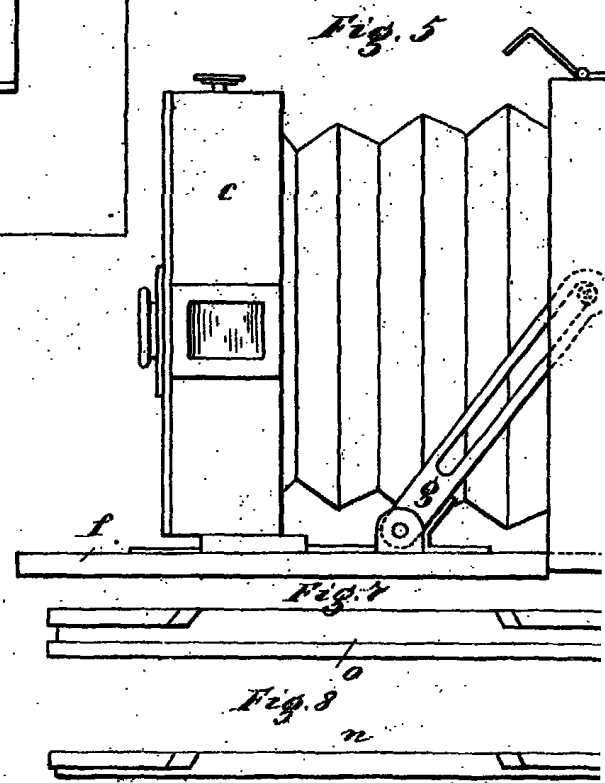
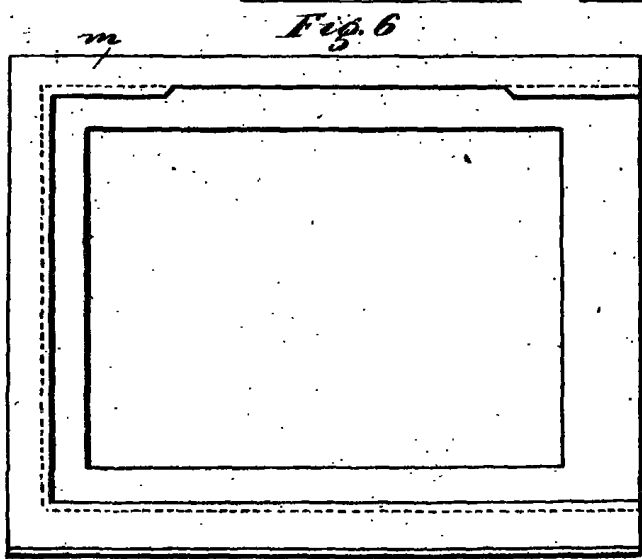
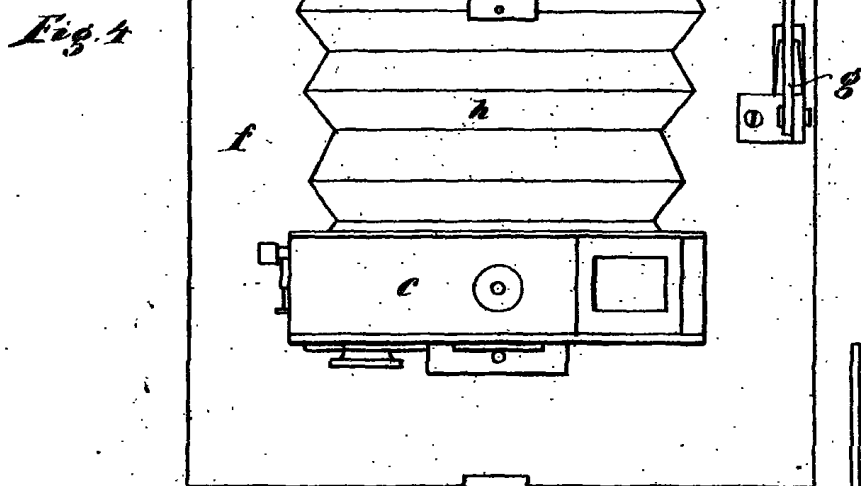
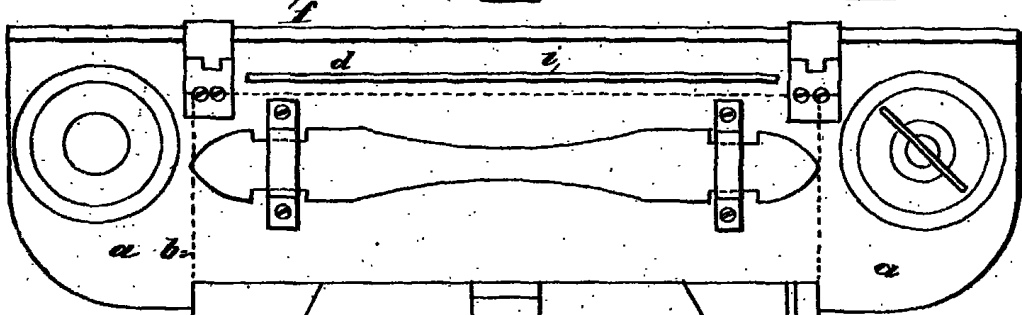
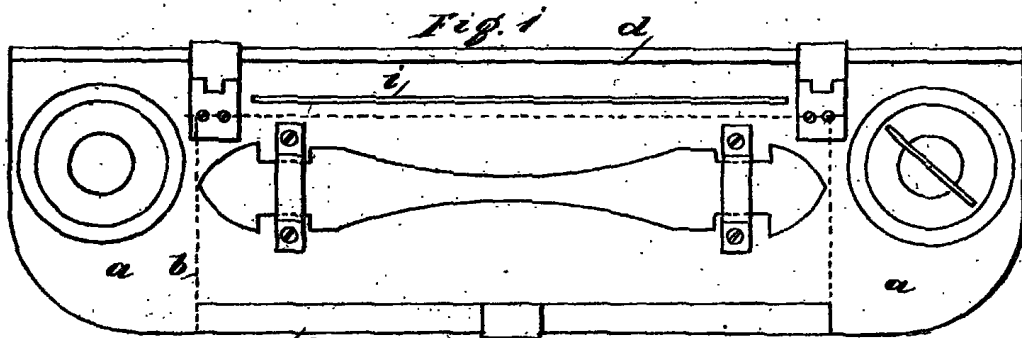


Fig. 2

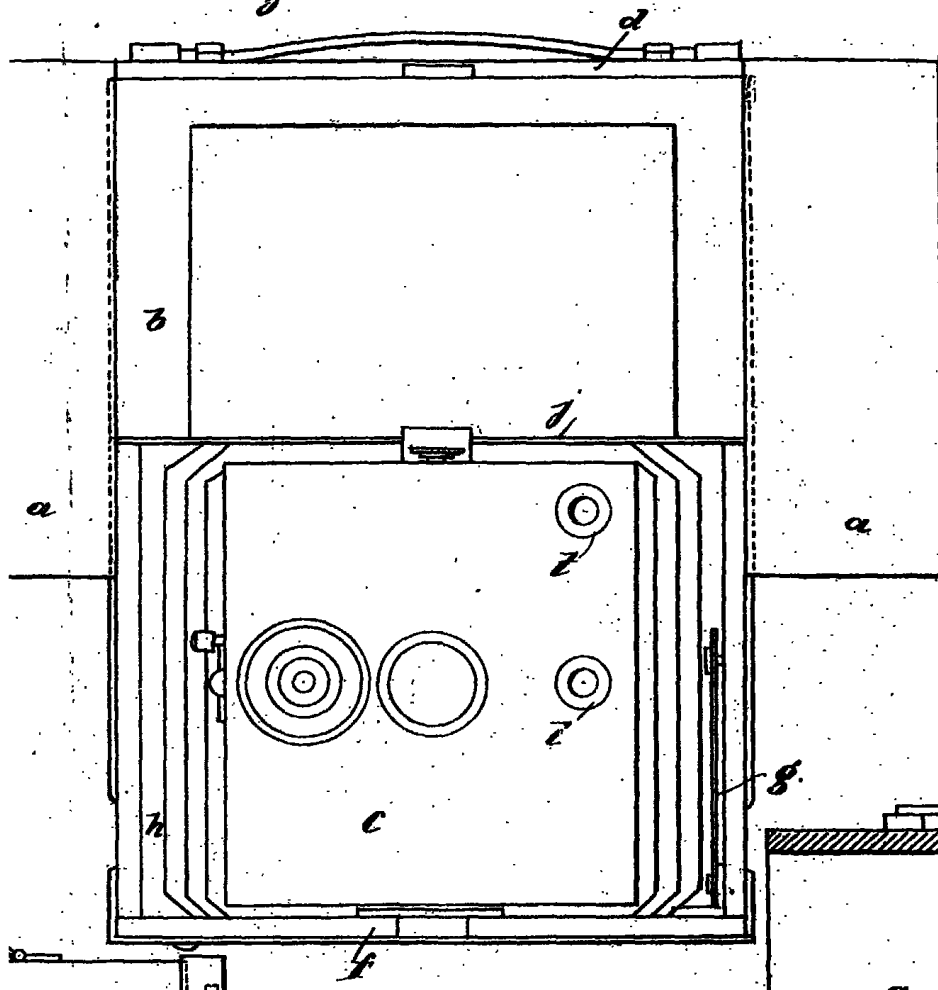
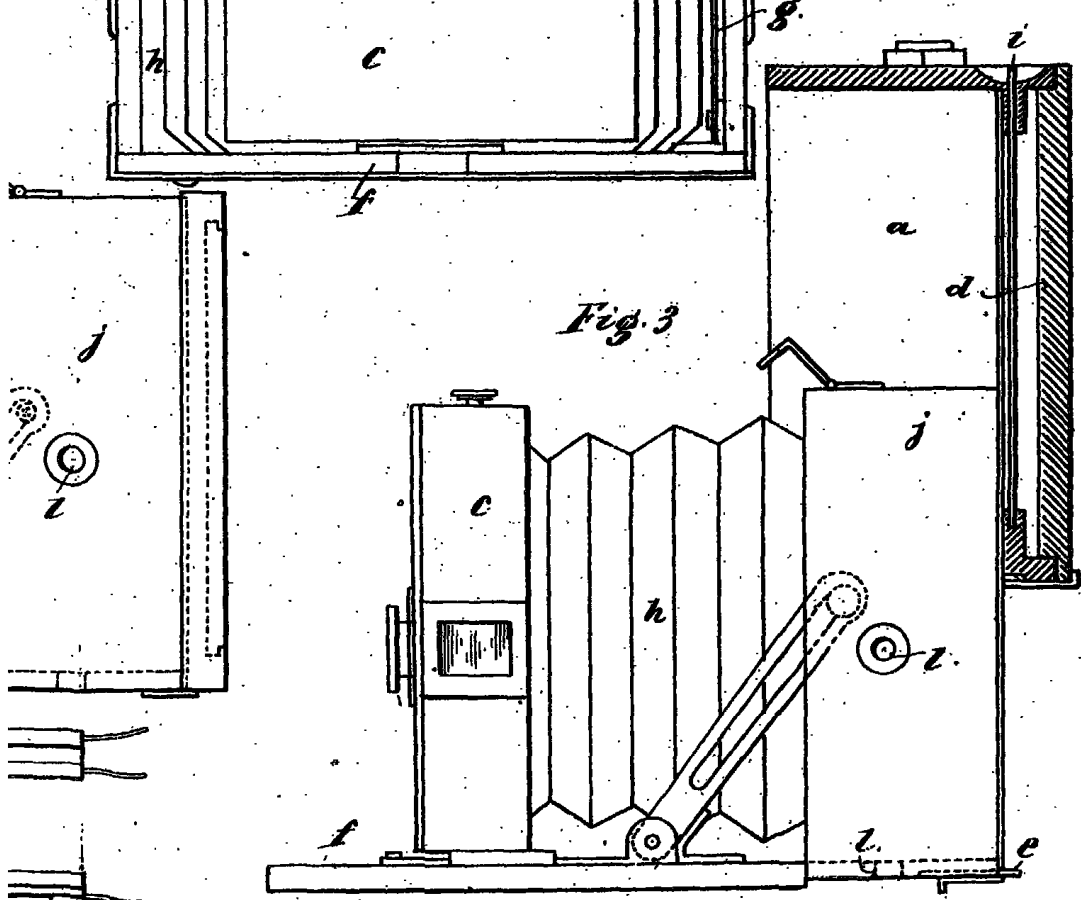


Fig. 3



[This Drawing is a reproduction of the Original on a reduced scale.]

BIHWIN...
FREE
LIBRARIES.