

July 12, 1938.

G. FASSIN

Des. 110,516

PHOTOGRAPHIC CAMERA

Filed June 2, 1938

Fig. 1

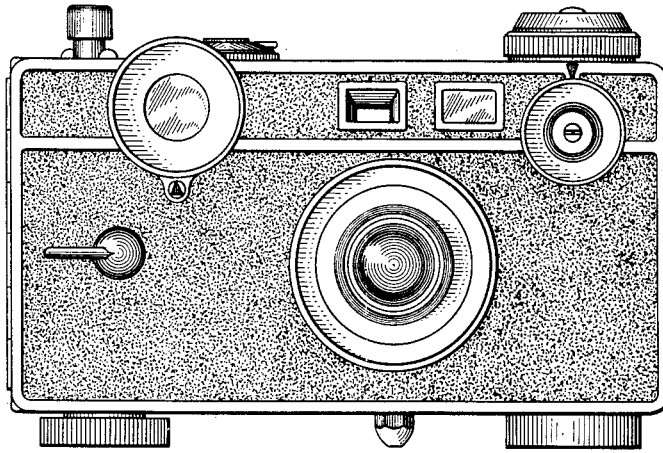


Fig. 2

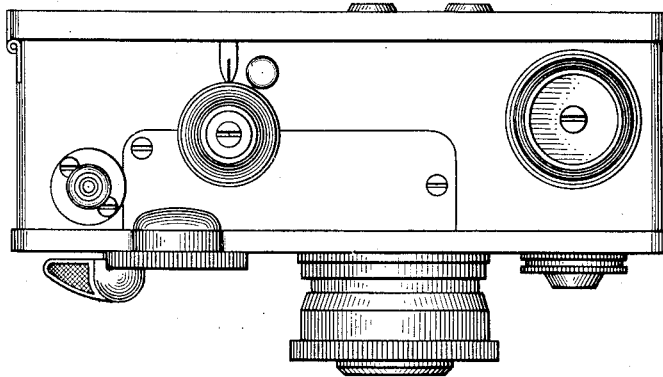
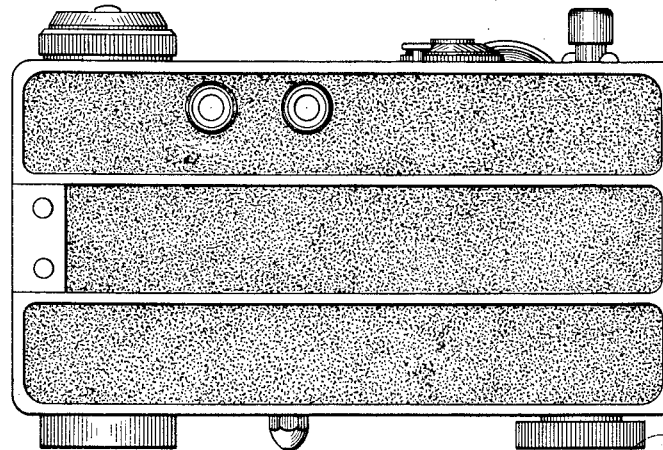


Fig. 3



INVENTOR.
Gustav Fassin

UNITED STATES PATENT OFFICE

110,516

DESIGN FOR A PHOTOGRAPHIC CAMERA

Gustave Fassin, Irondequoit, Monroe County,
N. Y., assignor to International Radio Corpo-
ration, Ann Arbor, Mich., a corporation of
Michigan

Application June 2, 1938, Serial No. 77,535

Term of patent 7 years

To all whom it may concern:

Be it known that I, Gustave Fassin, a citizen of the United States, residing in the town of Irondequoit, in the county of Monroe and State of New York, have invented a new, original, and ornamental Design for a Photographic Camera, of which the following is a specification, reference being had to the accompanying drawing, forming a part thereof.

Figure 1 is a front elevation of a photographic camera embodying my new design.

Figure 2 is a top plan view thereof.

Figure 3 is a rear elevation thereof.

I claim:

The ornamental design for a photographic camera, substantially as shown.

GUSTAVE FASSIN.