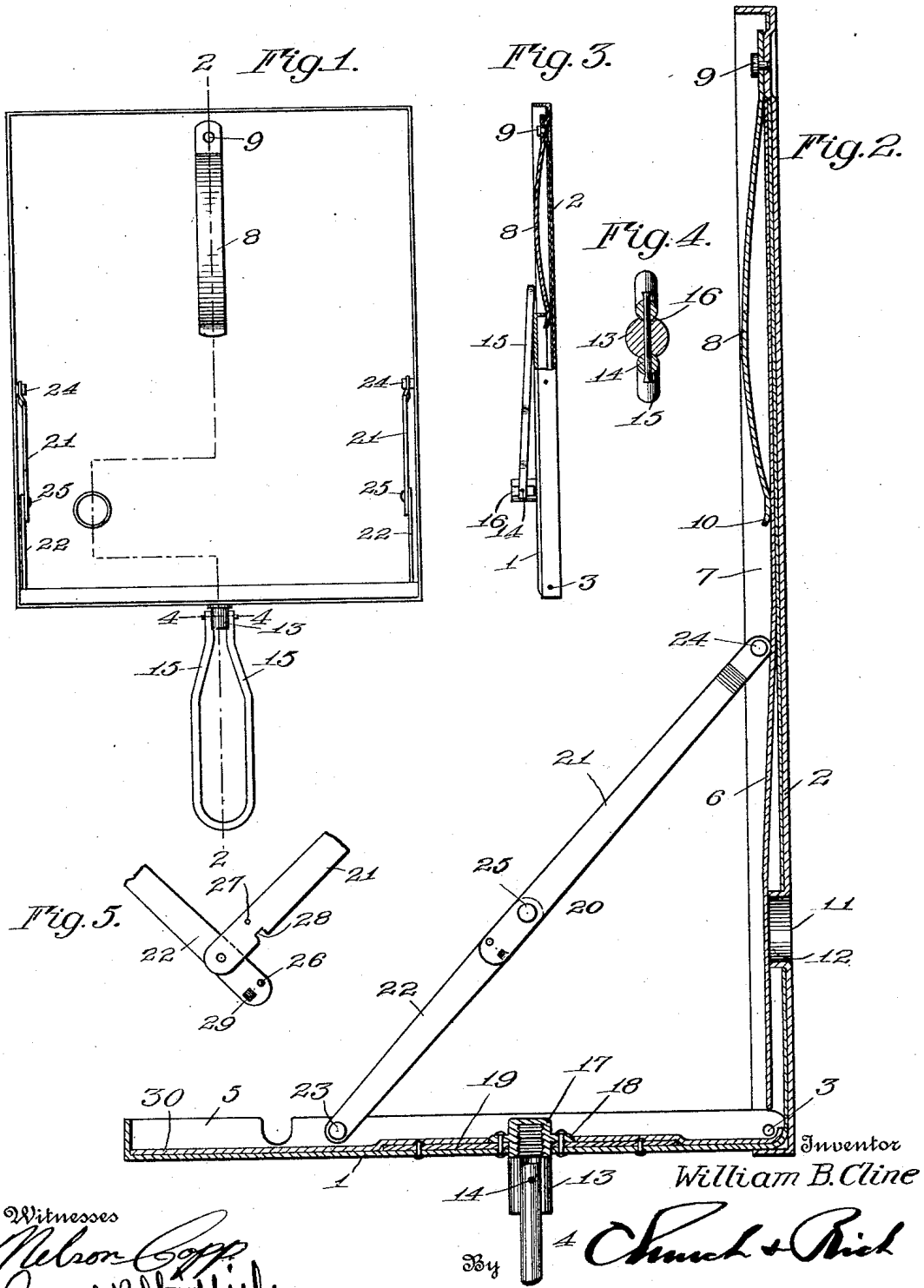


W. B. CLINE.  
 PHOTOGRAPHIC FLASH LIGHT APPARATUS.  
 APPLICATION FILED JUNE 21, 1910.

1,114,582.

Patented Oct. 20, 1914.



Witnesses  
*Nelson Goff*  
*Russell B. Buffell*

Inventor  
 William B. Cline  
 By *Church & Rich*  
 His Attorney

# UNITED STATES PATENT OFFICE.

WILLIAM B. CLINE, OF ROCHESTER, NEW YORK, ASSIGNOR TO EASTMAN KODAK CO.,  
OF ROCHESTER, NEW YORK, A CORPORATION OF NEW YORK.

PHOTOGRAPHIC FLASH-LIGHT APPARATUS.

1,114,582.

Specification of Letters Patent.

Patented Oct. 20, 1914.

Application filed June 21, 1910. Serial No. 568,144.

*To all whom it may concern:*

Be it known that I, WILLIAM B. CLINE, of Rochester, in the county of Monroe, State of New York, have invented certain new and useful Improvements in Photographic Flash-Light Apparatus; and I do hereby declare that the following is a full, clear, and exact description of the same, reference being had to the accompanying drawing, forming a part of this specification, and to the reference-numerals marked thereon.

My present invention relates to photography and it has for its object to provide a safe and convenient holder for the magnesium cartridge or other material during the combustion thereof when a flashlight exposure is being made.

The improvements are further directed toward providing a light, strong and inexpensive device and one which is adapted to be folded into small compass.

To these and other ends the invention consists in certain improvements and combinations of parts all as will be hereinafter more fully described, the novel features being pointed out in the claims at the end of the specification.

In the drawings: Figure 1 is a front elevation of a flashlight holder constructed in accordance with and illustrating one embodiment of my invention, the same being extended into position for use; Fig. 2 is an enlarged sectional view taken on the line 2—2 of Fig. 1; Fig. 3 is a view corresponding to Fig. 2 but only partly in section and showing the device in folded position; Fig. 4 is a transverse section through the handle on the line 4—4 of Fig. 1, and Fig. 5 is a detail view of one of the brace rods.

The device of the present embodiment of the invention is intended to be held in the hand of the operator in an advantageous position for throwing the light toward the object being photographed and to this end it comprises a base portion 1, a backing 2, hinged to the rear end of the base portion at 3, and a handle portion 4, the backing having a relatively angular upright position with respect to the base when in position for use and the handle being arranged to depend from the under side of the latter.

Flashlight material of one sort may be placed on the base within the flanged rail 5

at the edges thereof in which circumstance the backing 2 acts both as a shield for the operator and a reflector for the rays of light. The device is more particularly adapted, however, for burning the flash sheets now largely used for the purpose, and in the practice of my invention the sheet, indicated by 6 in Fig. 2, is held against the front face of the backing 2 within a flanged rail 7, corresponding to that on the base, by means of a clamp 8 comprising a spring arm pivoted at 9 to the backing to move in a plane parallel therewith and bowed outwardly throughout its immediate portion, the free end 10 being turned up slightly to receive the sheet beneath it. When a sheet is thus held a portion thereof spans an opening 11 in the backing 2, preferably near the bottom thereof, the said opening being surrounded by a collar 12 projecting forwardly from the front face of the backing. To ignite the sheet, the flame is applied from in rear of the backing through this opening. Thereafter the collar 12 tends to prevent the flames from shooting through the opening and up the rear face of the backing, while the flanges 7 similarly act to throw the flames forwardly toward the object and away from the operator.

When the device is folded, the base 1 is received within the flange or rail 7 of the backing, being shorter than the latter, and the top edge of the base engages over the free end 10 of the clamp 8, as shown in Fig. 3, to hold the latter against movement. The handle 4 is pivoted to a stud 13 on the base at 14 so that it too can be folded against the base and backing in the manner shown in Fig. 3 to produce a compact arrangement of the parts.

The handle itself preferably comprises a pair of oppositely arranged spring arms 15 which are held longitudinally within recesses 16 in the stud 13 to retain them in operative positions but out of which they yield laterally along their pivot pin when the handle is folded in which position it extends transversely of the stud. The means of attaching the latter, in the present instance, consists in providing a threaded socket 17 having flanges 18 by means of which it is secured to a reinforced portion 19 of the base and into this socket the stud is screwed from the under side. The socket

also provides means for attachment to an ordinary camera tripod, when desired, the handle being removable for this purpose.

To maintain the backing in its operative relation to the base folding braces 20 are employed, one being preferably provided at each side, as shown. Each brace consists of two pivoted links 21 and 22, one end of each of which is pivoted to one of the parts at 23 and 24, while the other overlaps the corresponding end of the other brace and is pivoted thereto at 25. One link is provided with a recess 26 on its face with which co-operates a projection 27 on the face of the other to hold the links in alinement when extended, while a cut-away portion 28 in the edge of one link receives a projection 29 struck from the face of the other and which tends to prevent the links from being moved beyond their alined positions in one direction.

The device described can be cheaply constructed of sheet material as to its principal parts, the flanges 7 and 5 and the collar 12 being conveniently formed integral with their respective carrying portions. If the material is thin and easily heated through, a facing 30 of non-inflammable and heat resisting material, such as asbestos, may be provided on both the base and backing.

I claim as my invention:

1. A flashlight holder comprising a base, a backing longer than the base hinged thereto, and a flash sheet holding clip on the front face of the backing comprising a pivoted spring arm, the free end of which is engaged and held in place by the edge of the base when the base and backing are folded flat against each other.

2. In a flash light holder, the combination with a base and a backing hinged thereto and longer than the base, both of said parts being provided with shallow flanged rails and the base being adapted to fold into a parallel position against the backing with its flanges telescoped within those of the backing, of a flash sheet holding clip on the front face of the backing comprising a spring arm of flat material having a bowed portion of less height than the flanged rail of the backing and a relatively depressed contacting portion at its free end so arranged as to be engaged by the edge of the flanged rail at the end of the base when the latter is folded against the backing.

WILLIAM B. CLINE.

Witnesses:

RUSSELL B. GRIFFITH,  
LUCY A. VAN COURT.

Copies of this patent may be obtained for five cents each, by addressing the "Commissioner of Patents, Washington, D. C."