

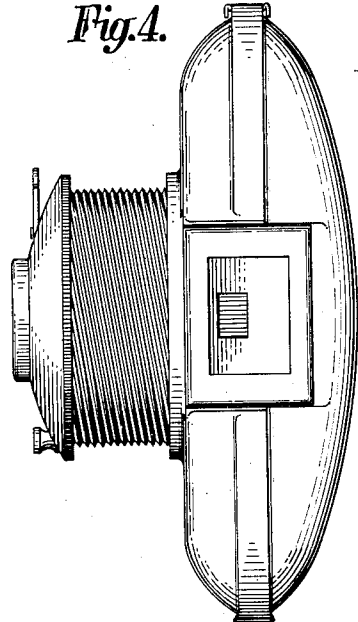
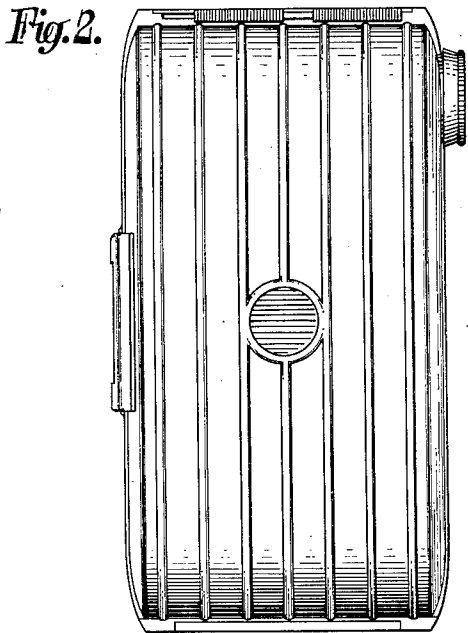
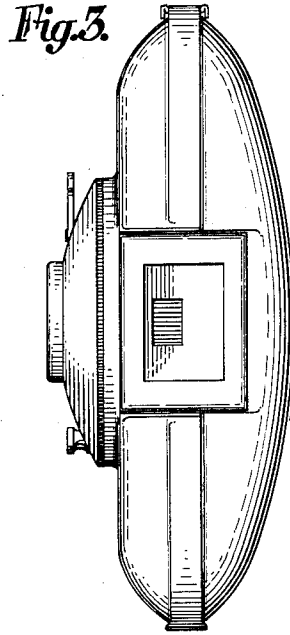
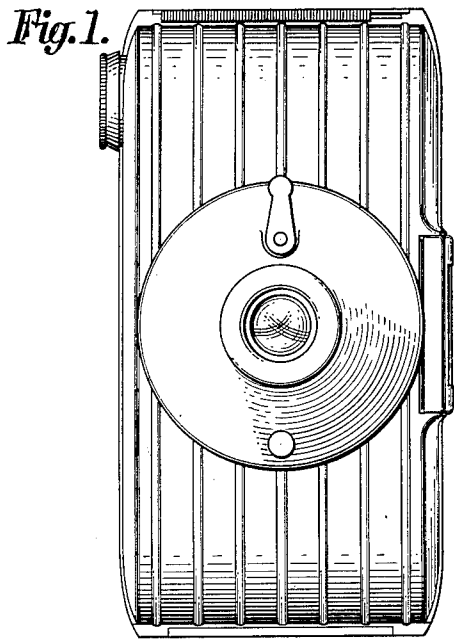
March 23, 1937.

W. D. TEAGUE

Des. 103,700

CAMERA

Filed Feb. 20, 1937



*Walter D. Teague,*  
INVENTOR:

*Newton M. Perrine,*

*Donald H. Stewart*  
ATTORNEYS.

BY

# UNITED STATES PATENT OFFICE

103,700

## DESIGN FOR A CAMERA

Walter D. Teague, New York, N. Y., assignor to  
Eastman Kodak Company, Rochester, N. Y., a  
corporation of New Jersey

Application February 20, 1937, Serial No. 67,778

Term of patent 3½ years

*To all whom it may concern:*

Be it known that I, Walter D. Teague, a citizen of the United States of America, residing at New York city, in the county of New York and State of New York, have invented a new, original, and ornamental Design for Cameras, of which the following is a specification, reference being had to the accompanying drawing, forming a part thereof, in which—

Fig. 1 is a front elevation of a camera constructed in accordance with my new design, the camera being in an open or picture-taking position.

Fig. 2 is a rear elevation of the camera shown in Fig. 1.

Fig. 3 is a side elevation of the camera in a folded position.

Fig. 4 is a view similar to Fig. 3, but with the camera in an open or picture-taking position.

I claim:

The ornamental design for a camera as shown and described.

WALTER D. TEAGUE.